



Please complete all items on this questionnaire if a woodburning stove or furnace is installed in the dwelling.

1. Wood Stove Manufacturer _____ Model Number _____

2. Age of Unit _____ Use: Primary Heat Supplemental UL Listed? Yes No

3. Does the Unit have spark guards? Yes No

4. Were the Stove/Furnace AND the Chimney installed by a professional Installer? Yes No

By Whom? _____

5. Location: Basement Ground Floor Second Floor

6. Is the unit controlled by a Thermostat? Yes No

7. Has the installation been inspected and approved by a local Fire Department or building inspector?

Yes No If Yes, When? _____

8. Is a Wall Protector Used? Yes No If Yes, what type? _____

Is a Floor Protector Used? Yes No If Yes, what type? _____

9. Is the stove/furnace at least 36 inches from any combustible material or 18 inches from non-combustible shield with one inch airspace to combustible wall? Yes No

10. What distance is the stovepipe from the ceiling or combustible side walls? _____

11. Total Length of stovepipe. _____

12. Does the stovepipe enter the chimney via: fire clay thimble double wall thimble other _____

13. The chimney is constructed of: masonry UL approved all fuel metal other _____

14. How often is the chimney cleaned? _____ By Whom? _____

15. Does the chimney extend at least three feet above the roof level and at least two feet above any portion of the roof within a ten foot radius? Yes No

16. Is the vent from the stove connected to a fireplace or other heating appliance chimney? Yes No

17. Are ashes placed in covered or enclosed metal containers only? Yes No If No, explain.

18. Where is the wood/fuel stored? _____

19. If there have been any previous losses, please detail:

20: Remarks:

A Photograph of the Stove/Furnace AND Stovepipe Installation is Required.

Agent's Signature: _____ Date: _____

Insured/Applicant's Signature: _____

AUXILIARY HEATING SYSTEMS

There is an increase in hazard even under ideal conditions with wood or coal supplementary heating. This increase is not limited to the peril of fire as many large claims result from smoke damage.

Wood or coal heating is more hazardous because:

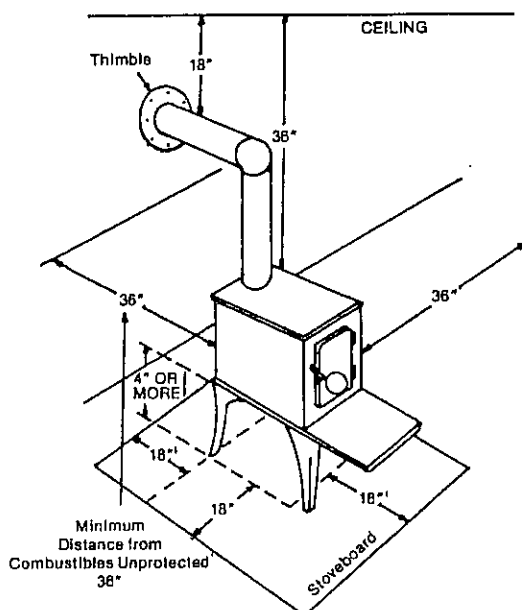
1. Stoves require almost constant attention.
2. Some wood or coal stoves do not have automatic controls.
3. Wood and coal produce higher temperatures than gas or oil.
4. Temperatures within the firebox of a wood stove can read 2000 degrees F.
5. Stoves require a chimney capable of resisting the higher temperatures and chimney fires.
6. Wood heating produces creosote which accumulates in the stove pipe and chimney. This buildup often leads to chimney fires.
7. Many wood and coal stoves do not have a Safety Jacket. The concentration of heat is transferred to the stove's surface increasing the possibility of igniting nearby combustibles or causing burn injuries.
8. Burning wood inside a stove is difficult to extinguish.
9. It creates a housekeeping problem.
10. Ashes demand safe handling and disposal.

Stove Pipe

- a. Stove pipe must be at least 22 gauge steel with a total length of less than 10 feet.
- b. Should have damper installed if one is not built into the stove.
- c. There should be a minimum of 18 inches between pipe and combustible wall or ceiling and should not be reduced in diameter between the heating unit and the chimney.
- d. Pipe should slope upwards toward chimney so as to allow creosote to run back into the stove.
- e. Pipe should enter the chimney at a horizontal angle.
- f. Stove pipe should not extend into the chimney flue lining.
- g. The inside diameter of the collar or thimble must be the same size as the pipe for proper fit. (air tight connection)
- h. When a stove pipe goes through a combustible interior wall, a double walled ventilated collar (thimble) must be used.
- i. Stove pipe should not pass through floor, closet, concealed space, or enter into chimney in the attic.
- j. Exterior of collar (thimble) for stove pipe must have at least an 18 inch clearance if wall is combustible.

Chimneys

- a. Metal chimneys must be U.L. approved and be constructed of triple wall pipe or double wall insulated pipe of stainless steel.
- b. Must be in good repair with flue lining clean and unblocked.
- c. Masonry chimneys require a foundation below the frost line and must have an approved tile or metal liner.
- d. Metal chimneys extending through a roof overhang must have at least a 2 inch clearance to any combustible material.
- e. One heating unit per chimney flue. Gas or oil fired heating units **should not** be connected to a flue used by a wood or coal unit.
- f. Must have a screened cap at top. On dwellings with wood or wood shake shingles there must be spark arrestors.
- g. Chimneys must rise at least 36 inches above any roof ridge within 10 feet from it.
- h. Chimneys located outside of the dwelling must have a cleanout opening.
- i. Chimneys should be inspected at least once each year.



Attach Pictures Here